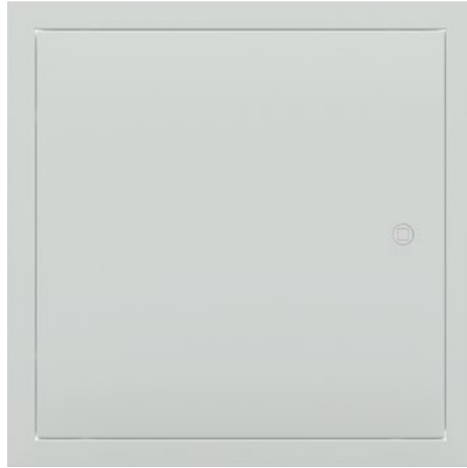


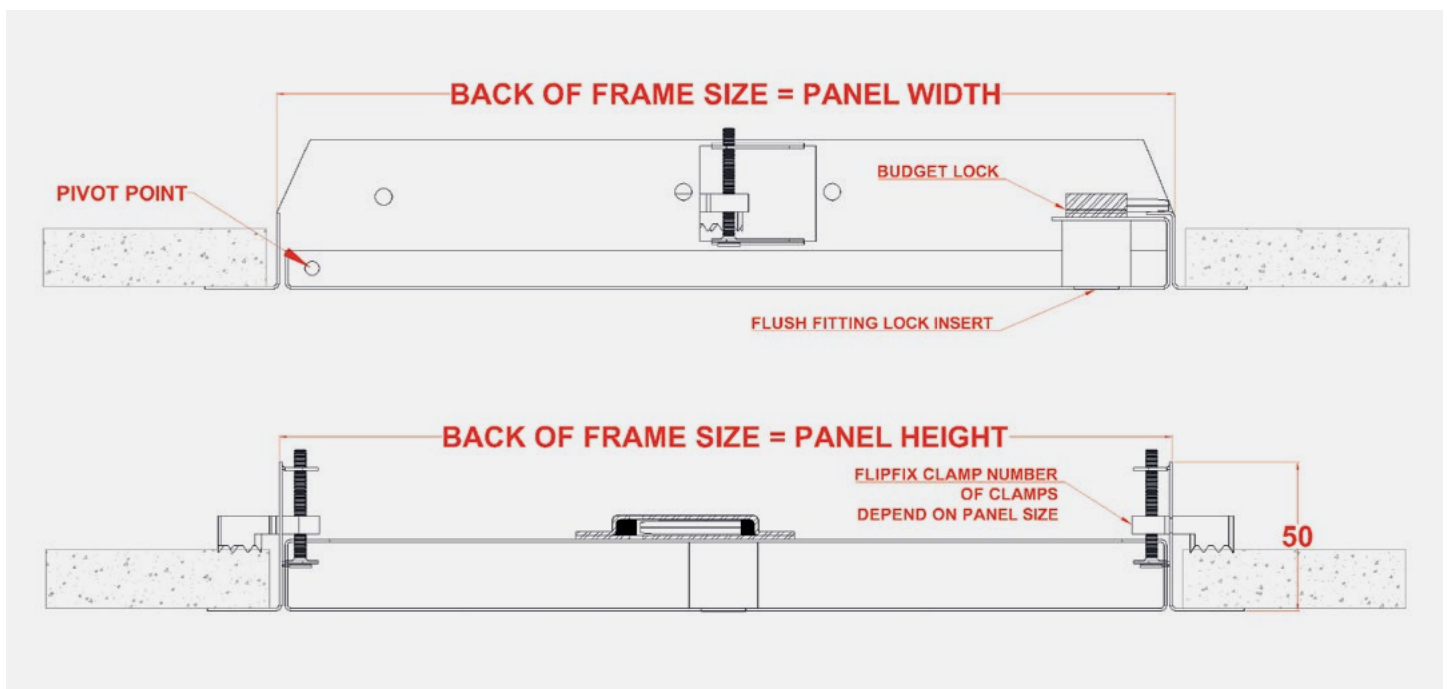
FLIPFIX



PICTURE FRAME



The FF/60/MD/PF/FL range of Access Panels are simple to install and suitable for both walls and ceilings where regular maintenance to services is required. Fitting requires no battening out of the structural opening due to the unique FlipFix Device which clamps the frame on to the rear of the boards.



Description

This panel is designed to fit into a structural membrane of a joint-less plasterboard wall & ceiling system. It is manufactured with a 20mm wide seamless / mitreless picture frame on all stock sizes and 25mm on bespoke. The panel has a Metal faced door. The panels door leaf is locked in place via a Flipfix Patented Flush Lock as standard other lock options are available upon request. The Panel is Powder Coated RAL 9010 30% Gloss. Other colours available upon request. This panel is for inspection use only and are not suitable for personnel access.

Tests

The Panel is 1 Hour Fire Rated for integrity up to 600x600mm in a ceiling and wall application tested in accordance with BS EN 1634-1: 2014.

The Panel is not Acoustic rated.

The Panel is not Air Pressure tested.

The Panel is not Smoke Tested.

Seals

Draught Seals **NO** Smoke Seals **NO** Air Seals **NO**
Acoustic Seals **NO** Intumescent Seals **NO**

Manufacture

The FF/60/MD/PF/FL is manufactured from Zintec Steel with a 0.9mm thick Door and a 0.9mm thick Frame.

Fitting

Make sure the structural opening is at least 5mm larger than the panel size, back of frame size. E.G a 600x600mm panel size requires a 605x605mm hole size. You don't need to remove the door, just open the panel using the budget lock key provided, place the panel into the aperture. Tighten the FlipFix device via the fixing screw behind the door leaf to clamp on the back of the plasterboard (The FlipFix device covers boards from 8mm to 32mm) Check the frame is square by measuring corner to corner. Lock the door in place; the door and frame should be flush. Sit back and relax, you've just saved yourself 20 minutes.

Code	Size (mm)		Structural Opening (mm)		Clear Opening (mm)		Overall size Inc. Frame (mm)		Frame	Depth	Weight
	L	W	L	W	L	W	L	W			
FF/60/MD/PF/FL/150X150	150	150	155	155	125	110	190	190	20 mm	54 mm	0.75 kg
FF/60/MD/PF/FL/200X200	200	200	205	205	175	160	240	240	20 mm	54 mm	1 kg
FF/60/MD/PF/FL/300X300	300	300	305	305	275	260	340	340	20 mm	54 mm	1.6 kg
FF/60/MD/PF/FL/450X450	450	450	455	455	425	400	490	490	20 mm	54 mm	3 kg
FF/60/MD/PF/FL/550X550	550	550	555	555	525	500	590	590	20 mm	54 mm	4.7 kg
FF/60/MD/PF/FL/600X300	600	300	605	305	575	250	640	340	20 mm	54 mm	3 kg
FF/60/MD/PF/FL/600X600	600	600	605	605	575	550	640	640	20 mm	54 mm	5 kg
FF/60/MD/PF/FL/900X600	900	600	605	605	875	550	950	650	25 mm	54 mm	8.6 kg
FF/60/MD/PF/FL/1200X600	1200	600	605	605	1175	550	1250	650	25 mm	54 mm	10.5 kg